



300w Pellet Ignition For Wood Pellet Stoves

GREENWAY 300W Pellet Ignition for Wood Pellet Stoves, manufactured by 1650 C high temperature Co-sintered with heating layer printed on the ceramic sheet.

Model:G90105 Porcelain seat + nut

300W Pellet Ignition for Wood Pellet Stoves

GREENWAY **300W Pellet Ignition for Wood Pellet Stoves**, manufactured by 1650 C high temperature Co-sintered with heating layer printed on the ceramic sheet.

It is a new environmentally friendly heating element.

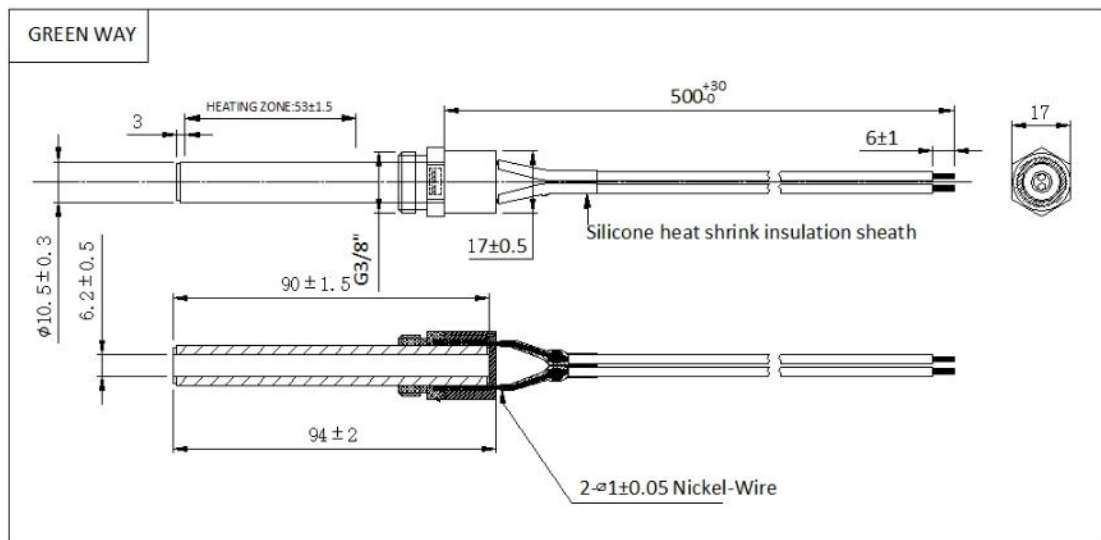
The heater surface temperature can up to 800C within 30 sec.

This pellet ignition has such merit as excellent resistance, noiselessness, usefulness for every required heat setting. Meanwhile MCH Contains no harmful material, conforming with environment protection.



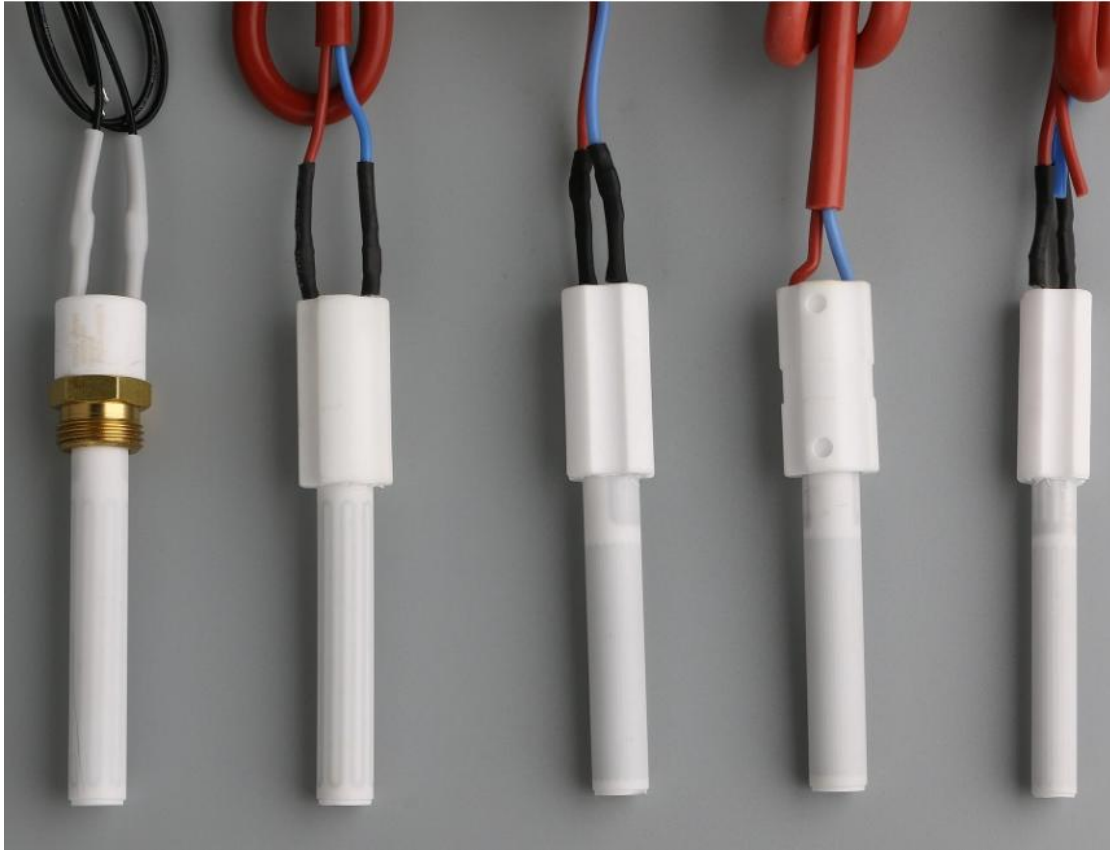
Parameter of GREENWAY 300W Pellet Ignition for Wood Pellet Stoves

Power Source	Electric
Brand Name	GREENWAY
Weight (N.W)	50g
Certificate	Rohs/Reach
Max Temperature	1050 deg C
Main Material	95% aluminum ceramic
Flange	Seal Ceramic flange +copper thread
Dimension	94*10.5mm /108mm*11.5mm OR Customized
Power	300W
Warranty	13 months
Ignition Time	60-90 seconds
Wire Length	50cm or accordingly
OEM/ODM	AVAILABLE



GREENWAY 300W Ceramic Pellet Ignition Application

- Wood pellet stove
- Wood pellet boiler
- Wood pellet burner
- Wood chips burner
- Straw burner
- Other biomass burner



Packing and Delivery

Box;Carton;

Delivery with Express such as TNT/DHL/Fedex and UPS

Lead time:1-35 working days



GREENWAY Advantage

1. Aluminum Ceramic Heating Element Factory
2. On-line Employees more than 150~200
3. Customization are welcome
4. Heater Month Capacity: 550,000 piece
5. Quick Delivery time for already models: 1-3 days
6. Free Heater Samples are available